

4

3

2

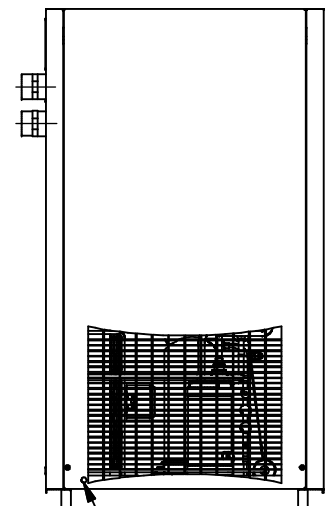
1

DIMENSIONS, INCHES (mm)

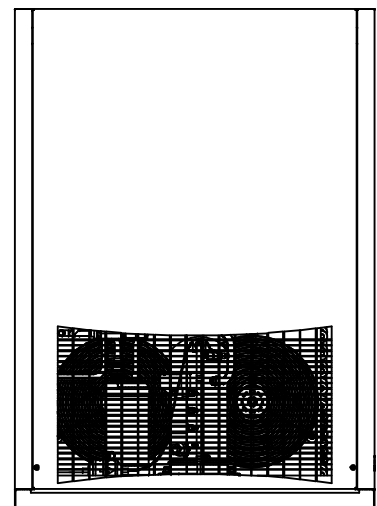
MODEL	"A"	"B"	"C"	"D"	"E"	"F"	"G"	"H"	"I"	"J"	"K"	"L"	"M"	"N"	"O"	WEIGHT, LBS (kg)
DHP130, DHP200	37.56 (954)	25.62 (651)	2.5 (63.5)	23.62 (600)	17.62 (448)	19.62 (498)	9.58 (243)	14.96 (380)	28.54 (725)	25.02 (636)	0.31 (7.9)	1.5-MPT	N/A	N/A	N/A	251 (114), 279 (127)
DHP300, DHP500	38.60 (980)	32.15 (817)	2.5 (63.5)	30.15 (766)	30.15 (766)	32.15 (817)	7.64 (194)	15.80 (401)	30.19 (767)	26.04 (661)	0.31 (7.9)	1.5-MPT	4.56 (116)	9.84 (250)	3.13 (80)	425 (193), 463 (210)
DHP750, DHP1000	58.06 (1475)	32.15 (817)	2.5 (63.5)	30.15 (766)	39.62 (1006)	41.62 (1057)	20.44 (519)	27.79 (706)	49.06 (1137)	44.78 (1137)	0.63 (16)	1.5-MPT	4.81 (122)	20.82 (529)	3.13 (80)	691 (313), 734 (333)

B

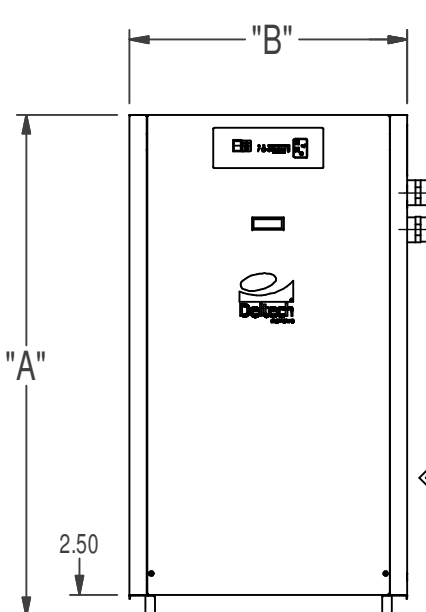
B



1/4-18 NPT (FEMALE) DRAIN CONNECTION
DHP1000
BACK VIEW
Service Clearance (Minimum):
6 -inches (152-mm)



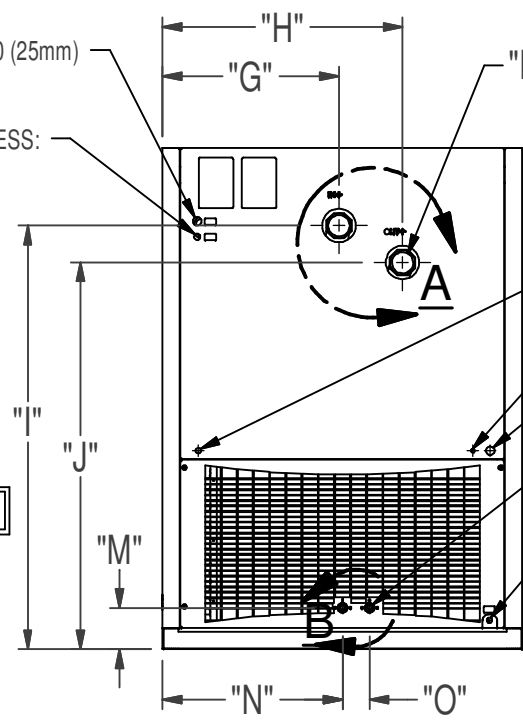
LEFT SIDE VIEW
Service Clearance (Minimum):
36 -inches (914-mm)



FRONT VIEW
Service Clearance (Minimum):
36 -inches (914-mm)

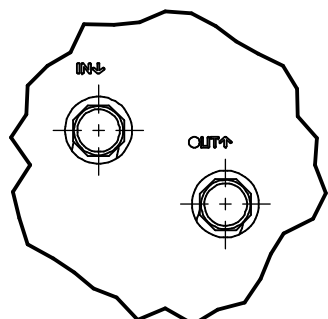
CONDENSER AIR FLOW

DHP300 - 1000: Ø1.00 (25mm)
ELECTRICAL ENTRY
DHP300 - 1000: ACCESS:
Ø.750 (19mm)

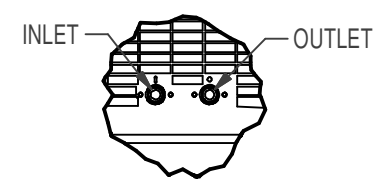


RIGHT SIDE VIEW
Service Clearance (Minimum):
36 -inches (914-mm)

"L" - I/O CONNECTIONS
1/4 - 18 NPT DRAIN CONNECTION
DHP130 - 0200
DHP130 - 200 (115 VOLT): 6-FT POWER CORD
DHP130 - 200 (230 VOLT): Ø1.00 (25mm) ELECTRICAL ENTRY
1/2-14 NPT (FEMALE) I/O WATER CONNECTIONS
DHP300-1000
1/4-18 NPT (FEMALE)
DRAIN CONNECTION
DHP300-1000



DETAIL A

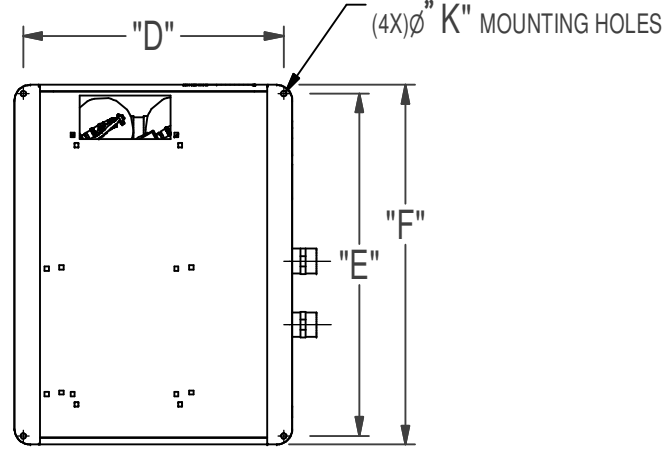
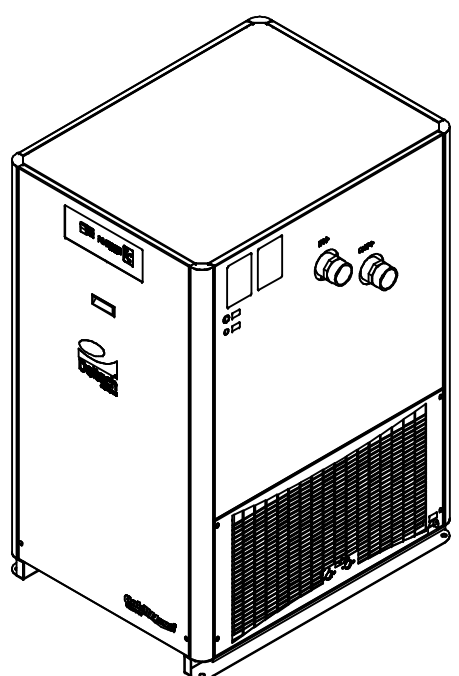


DETAIL B

- *Notes & Specifications:
1. Maximum Inlet Pressure: 725-psig (50-barg)
 2. Maximum Inlet Temperature: 120°F (49°C)
 3. Maximum Ambient:
 - Air Cooled- 110°F (43°C)
 - Water Cooled- 130°F (54°C)
 4. Minimum Ambient:
 - Air Cooled- 40°F (4.4°C)
 - Water Cooled- 40°F (4.4°C)

A

A



BOTTOM VIEW

UNLESS OTHERWISE SPECIFIED
DIMENSIONS ARE IN INCHES
TOL. ON FRACTIONS: ± 1/16
TOL. ON DECIMALS: ± .06 (2 PLACE)
TOL. ON DECIMALS: ± .03 (3 PLACE)
TOL. ON ANGLES: ± 1°

DRAWN BY: rgiacometti
DATE: 7/16/2010

CHECKED BY: DDB
DATE: 7/16/2010

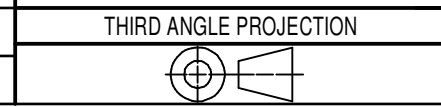
APPROVED BY: DDB
DATE: 7/16/2010



TITLE DHP130 - DHP1000 GENERAL ARRANGEMENT
(AIR-COOLED/WATER-COOLED)

SIZE B DWG. NO. GA03DEL-0043 REV. SCALE: NONE EST. WT.: SHEET 1 OF 1

REV.	DESCRIPTION	BY	DATE	APPROVED
REVISION HISTORY (△ INDICATES LATEST REVISION)				



4

3

2

1