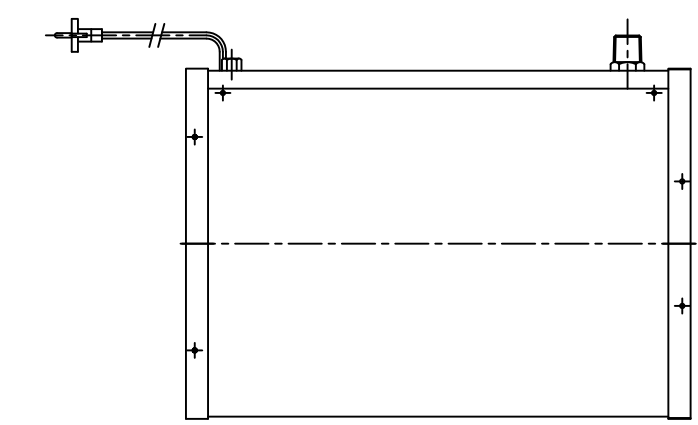
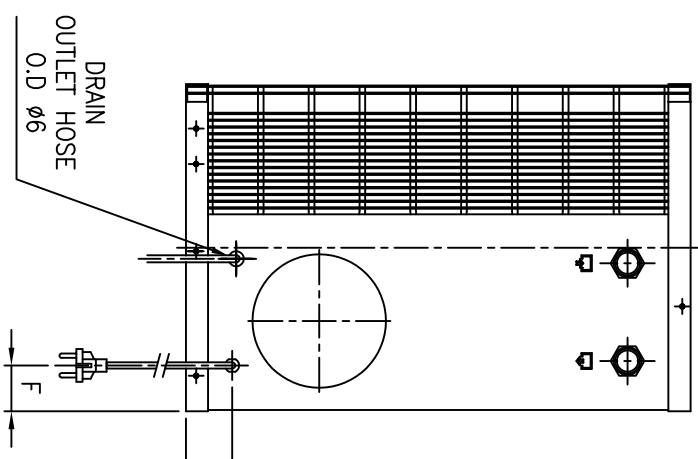
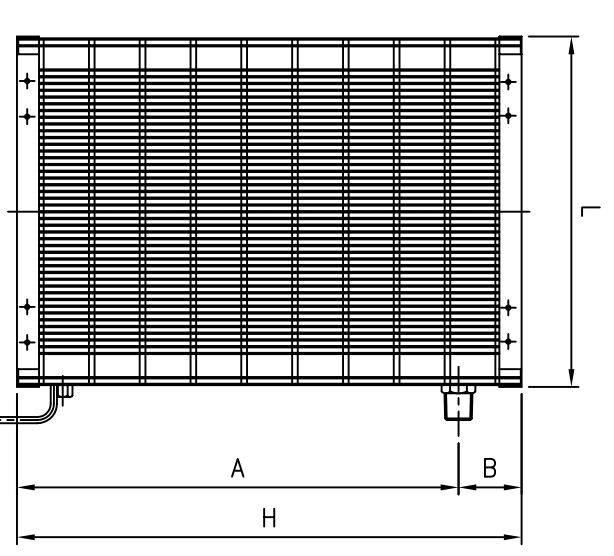
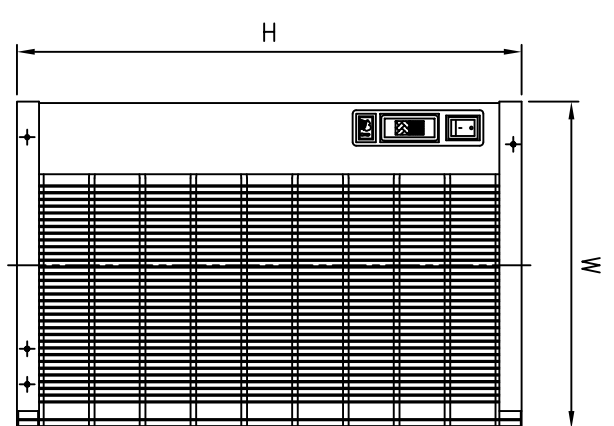
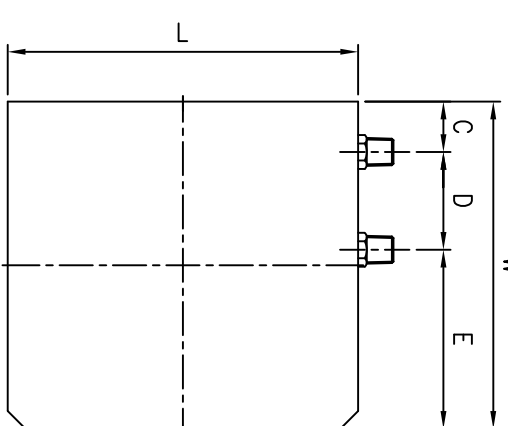
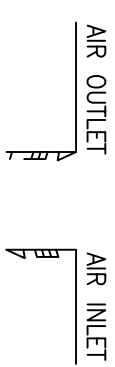


NOTE : PRIMARY DIMENSIONS ARE INCHES AND DIMENSIONS IN BRACES ARE METRIC

MODEL	DIMENSION inch {mm}											INLET/OUTLET <MALE>	INLET AIR FLOW <SCFM>	NET WEIGHT <LBS>	SHIPPING WEIGHT <LBS>
	A	B	C	D	E	F	G	H	L	W					
HG25	19.56 {497}	2.80 {71}	2.24 {57}	4.33 {110}	7.91 {201}	2.05 {52}	2.05 {52}	22.36 {568}	15.51 {394}	14.48 {368}	NPT 3/4"	25	66	88	
HG35												35			



SERVICE :
COMPRESSED AIR

OPERATING CONDITIONS :
 RATED INLET AIR PRESSURE - 100 PSIG
 MAXIMUM INLET AIR PRESSURE - 250 PSIG
 MINIMUM INLET AIR PRESSURE - 30 PSIG
 RATED INLET AIR TEMPERATURE - 100 °F
 MAXIMUM INLET AIR TEMPERATURE - 120 °F
 MINIMUM INLET AIR TEMPERATURE - 40 °F
 RATED AMBIENT AIR TEMPERATURE - 100 °F
 MAXIMUM AMBIENT AIR TEMPERATURE - 120 °F
 MINIMUM AMBIENT AIR TEMPERATURE - 40 °F

SPECIFICATIONS :
 ELECTRICALS - 115V/1PH/60Hz, 230V/1PH/50Hz
 REFRIGERANT - HFC-134a (R-134a)
 EXPANSION DEVICE - CONSTANT EXPANSION VALVE
 DRAIN TYPE - ELECTRONIC DRAIN
 CONDENSER TYPE - STATIC CONDENSER

REV.	DESCRIPTION	BY	DATE	APPROVED
	REVISION HISTORY (Δ INDICATES LATEST REVISION)			

UNLESS OTHERWISE SPECIFIED
 DIMENSIONS ARE IN INCHES
 TOL. ON FRACTIONS: ±
 TOL. ON DECIMALS: ± (2 PLACE)
 TOL. ON DECIMALS: ± (3 PLACE)
 TOL. ON ANGLES: ±
 THIRD ANGLE PROJECTION

FILTER NO.
DRAWN BY: DMC DATE: 6/15/05
CHECKED BY: MAMP DATE: 6/15/05
APPROVED BY: JRL DATE: 6/15/05

Deltech

REFRIGERATED AIR DRYER (STATIC COND)
 GENERAL ARRANGEMENT
 HG25-35

SIZE: C DWG. NO.: GA03DEL-0017 REV.:

SCALE: NONE EST. WT. SHEET 1 OF 1

4 3 2 1 4 3 2 1