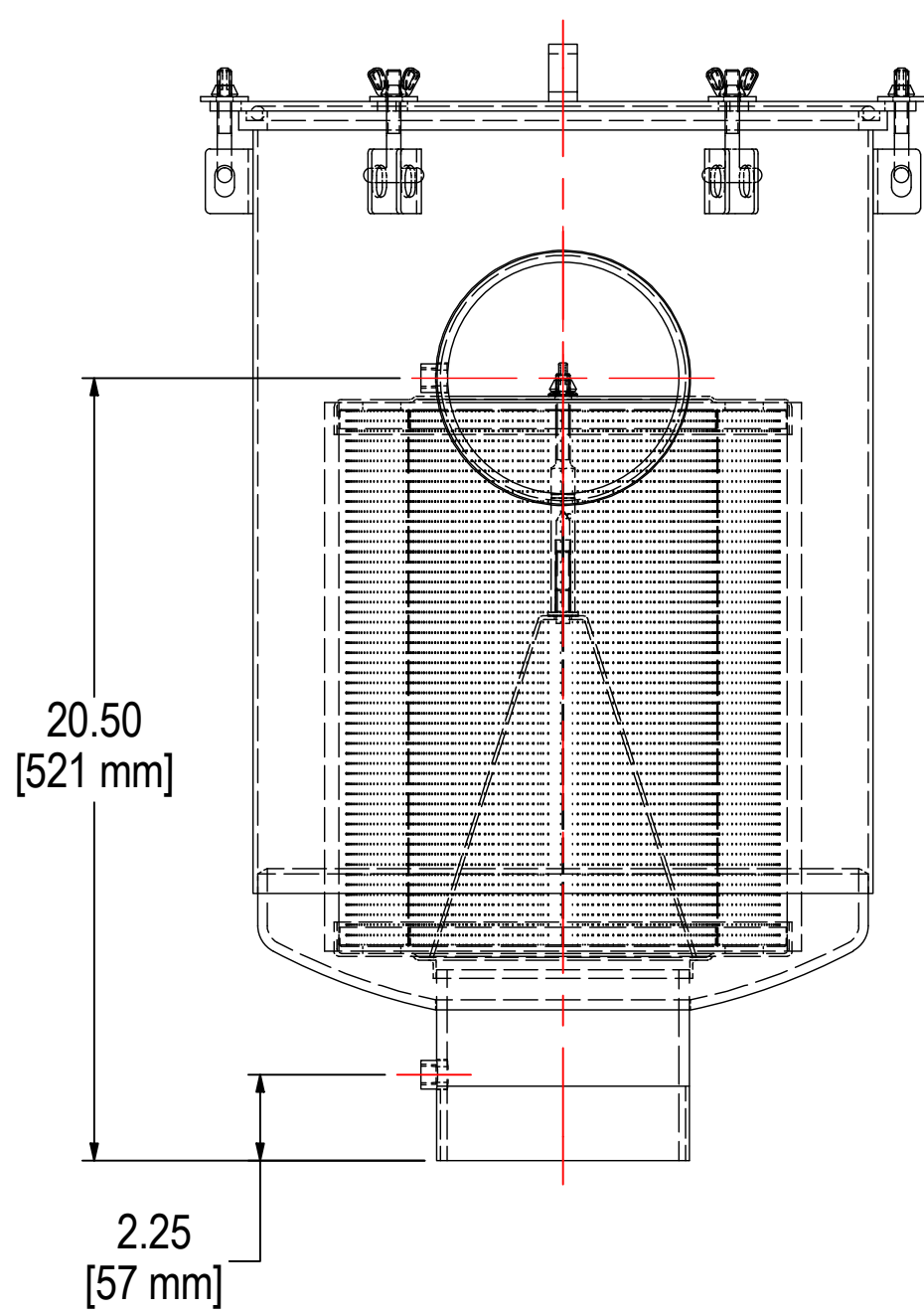
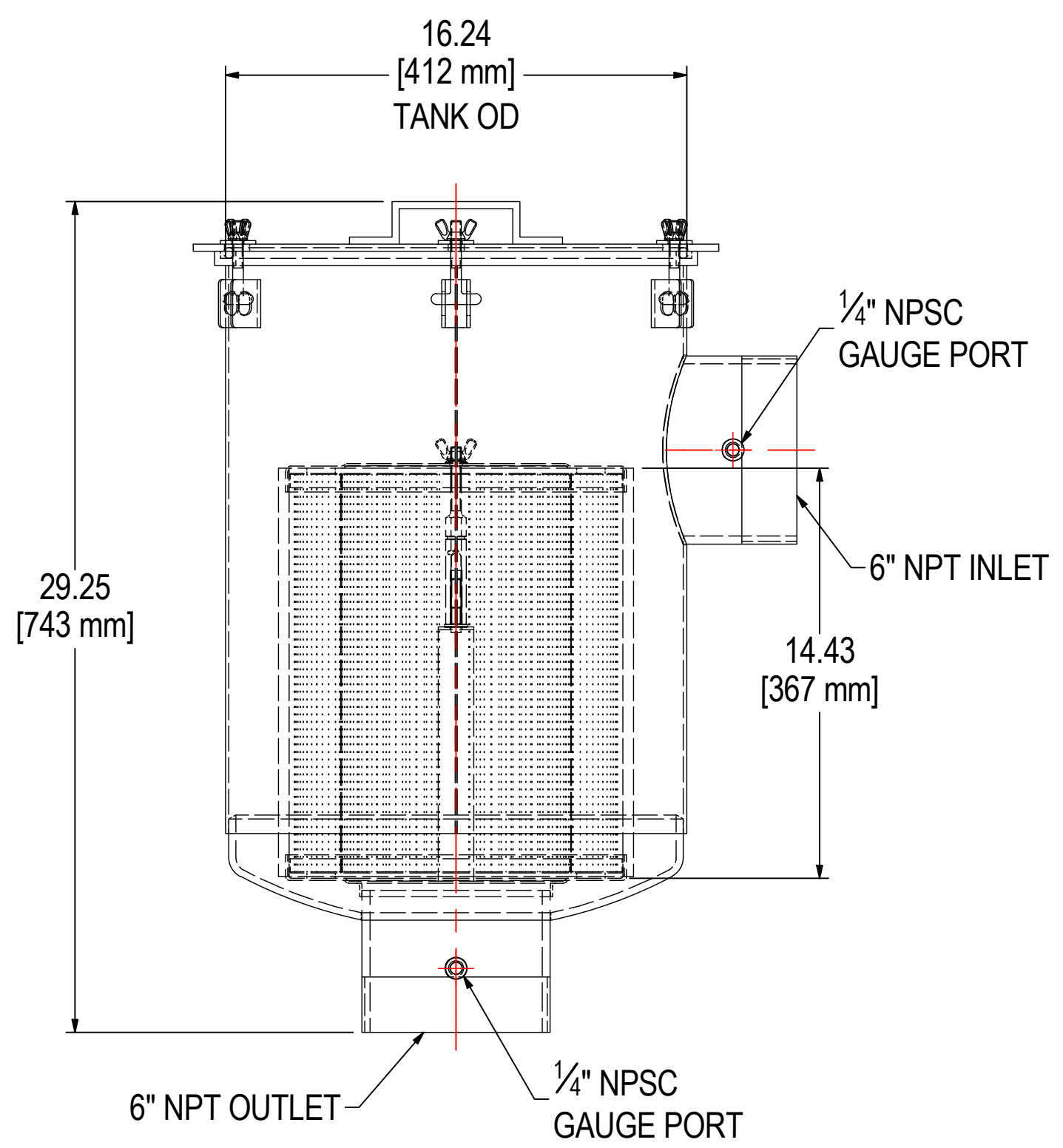
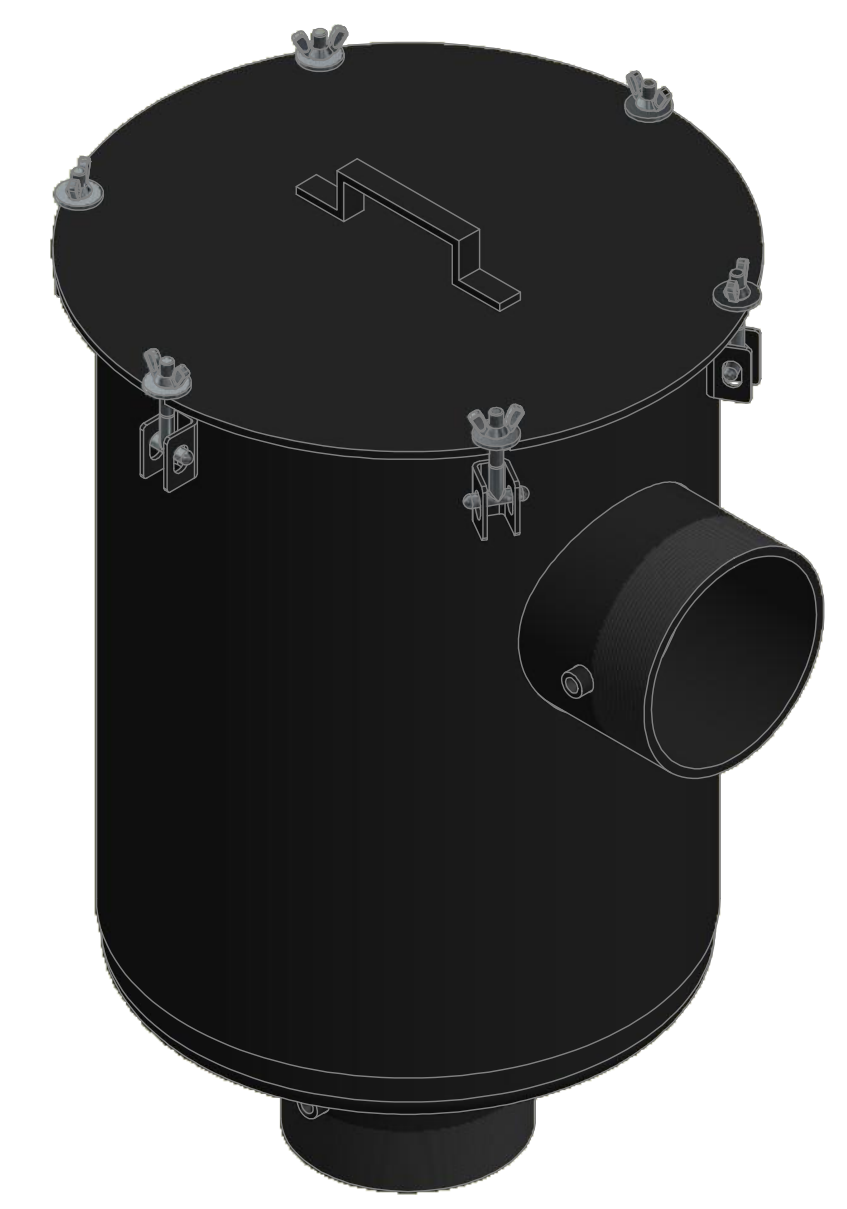
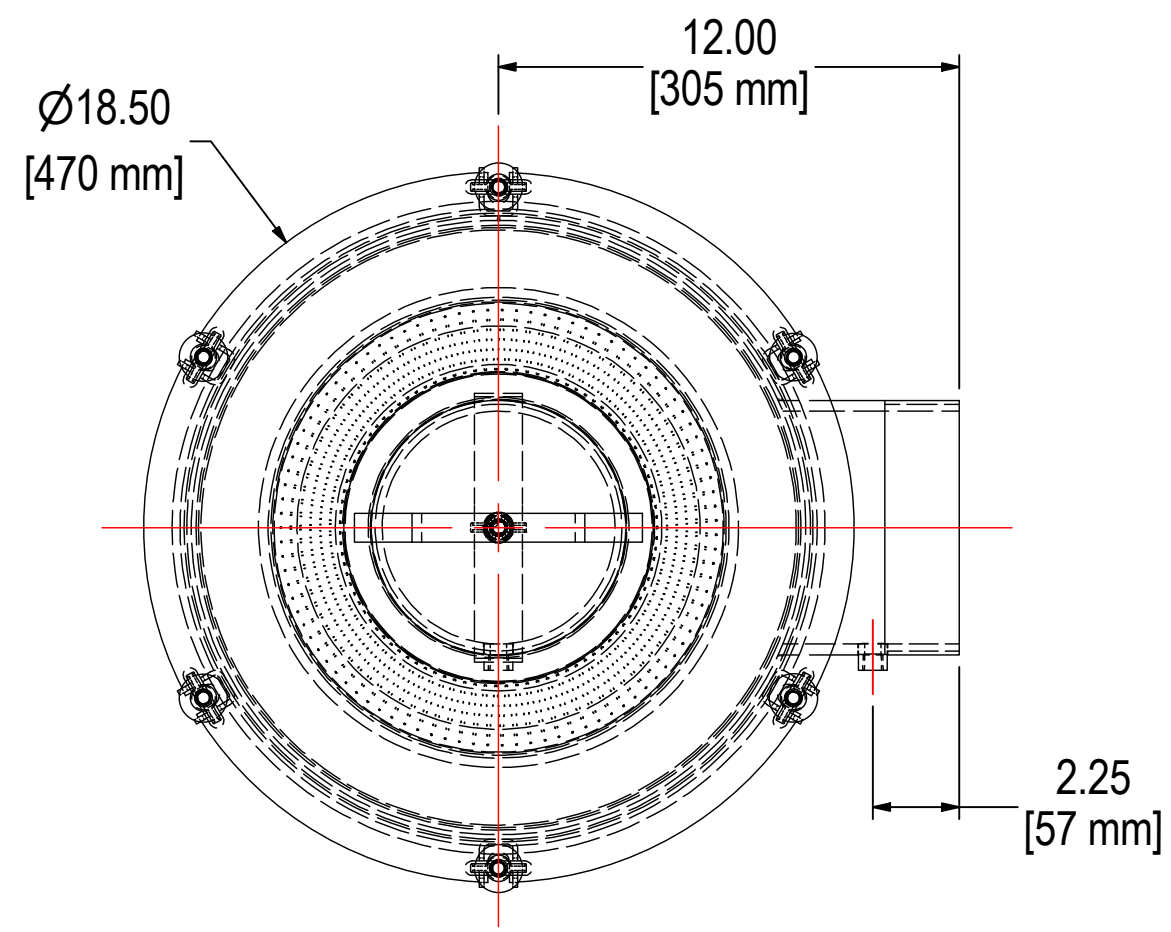


REV	DESCRIPTION	ECN #	CHG BY	DATE	APP'D
A	UPDATED TO 3D		WEB	10/14/19	MJC



ELEMENT SPECS		
PART NUMBER	375P	
MATERIAL	POLYESTER	
FLOW RATE	1500 CFM	2548 m ³ /hr
SURFACE AREA	30.7 ft ²	2.9 m ²
I.D.	8.00"	203mm
O.D.	11.75"	298mm
HEIGHT	14.43"	367mm

MODEL #: CSL-375P-600	MATERIAL: CARBON STEEL	FINISH: BLACK RAL 9005
-----------------------	------------------------	------------------------

MODEL NUMBER: CSL-375P-600	SHEET: 1 OF 1
----------------------------	---------------

DESCRIPTION: CSL-375P-600, BLACK RAL 9005

PROJECT: SD12960	DRAWN BY: CRW	APPROVED BY: M.C.	REV: A
	DATE: 11/18/2010	DATE: 11/18/2010	

SOLBERG
Filtration • Separation • Silencing
630.773.1363 • www.solbergmfg.com

THE INFORMATION CONTAINED HEREIN IS CONFIDENTIAL AND THE PROPERTY OF SOLBERG MANUFACTURING INC. AND IT IS FURNISHED TO YOU WITH THE EXPRESS UNDERSTANDING THAT IT WILL NOT BE REPRODUCED, COPIED IN ANY MANNER, LOANED OR OTHERWISE TRANSFERRED TO OTHERS ENTIRELY OR IN PART, NOR USED FOR ANY PURPOSE OTHER THAN FOR WHICH IT WAS FURNISHED. IT WILL BE RETURNED UPON REQUEST TO SOLBERG MANUFACTURING INC. THE ABOVE RESTRICTION IS IN ADDITION TO, AND DOES NOT IN ANY WAY ALTER, ANY OTHER RESTRICTIONS WHICH MAY APPLY TO THE INFORMATION CONTAINED HEREIN.

TOLERANCES
DIMENSIONS ARE FOR REFERENCE ONLY. ALL DIMENSIONS ARE SUBJECT TO CHANGE UPON PRODUCTION.
UNLESS OTHERWISE SPECIFIED:
-DIMENSIONS ARE IN INCHES
-REF: APPROXIMATE DIMENSIONS, NO TOLERANCES APPLY
-FINISH: BREAK EDGES TO .005-.020 RADIUS/CHAMFER