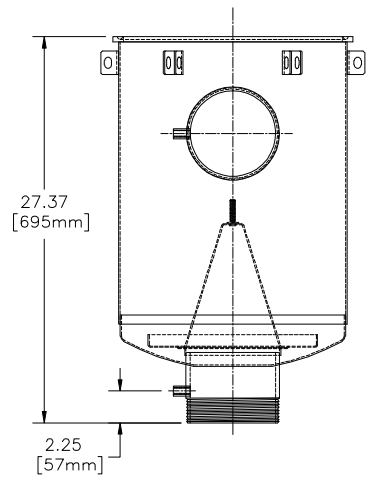
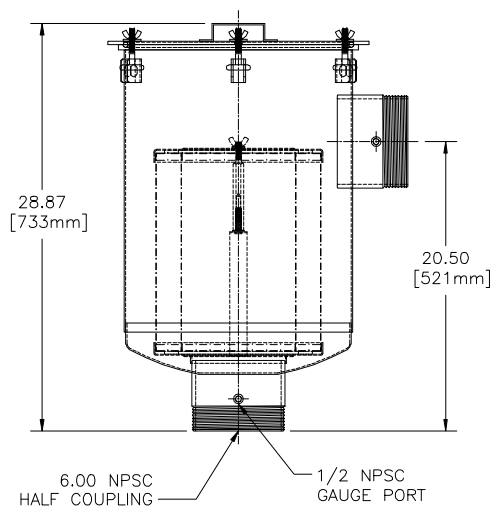
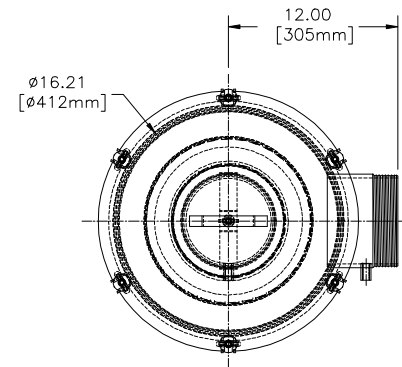


REVISIONS					
REV	DESCRIPTION	ECN #	CHG BY	DATE	APP'D



REPLACEMENT ELEMENT#	374P
MATERIAL	PAPER
DESIGN FLOW	1500 SCFM
SURFACE AREA	68 SQ. FT.
I.D.	8.00
O.D.	11.75
HEIGHT	14.50

MODEL#	HOUSING MATERIAL	FINISH
CSL-374P-600	CARBON STEEL	BAKED ENAMEL GREY

The information contained herein is confidential and the property of Solberg Manufacturing Inc. and it is furnished to you with the express understanding that it will not be reproduced, copied in any manner, loaned or otherwise transferred to others entirely or in part, nor used for any purpose other than for which it was furnished. It will be returned upon request to Solberg Manufacturing Inc. The above restriction is in addition to, and does not in any way alter, any other restrictions which may apply to the information contained herein.



SOLBERG MANUFACTURING INC.
1151 W. ARDMORE AVE.
ITASCA, IL 60143
630/616-4400

UNLESS OTHERWISE SPECIFIED:
-DIMENSIONS ARE IN INCHES
-FINISH: BREAK EDGES .005-.020 RADIUS/CHAMFER
-REF: APPROXIMATE DIMENSIONS, NO TOLERANCES APPLY

DESCRIPTION: CSL-374P-600				
APPROVALS	DATE	SHEET: #	SHEET SIZE: C	SCALE: NTS
DRAWN: CJS	09/25/09	DRAWING NUMBER: SD14870	REV:	-
APPROVED: -	-			