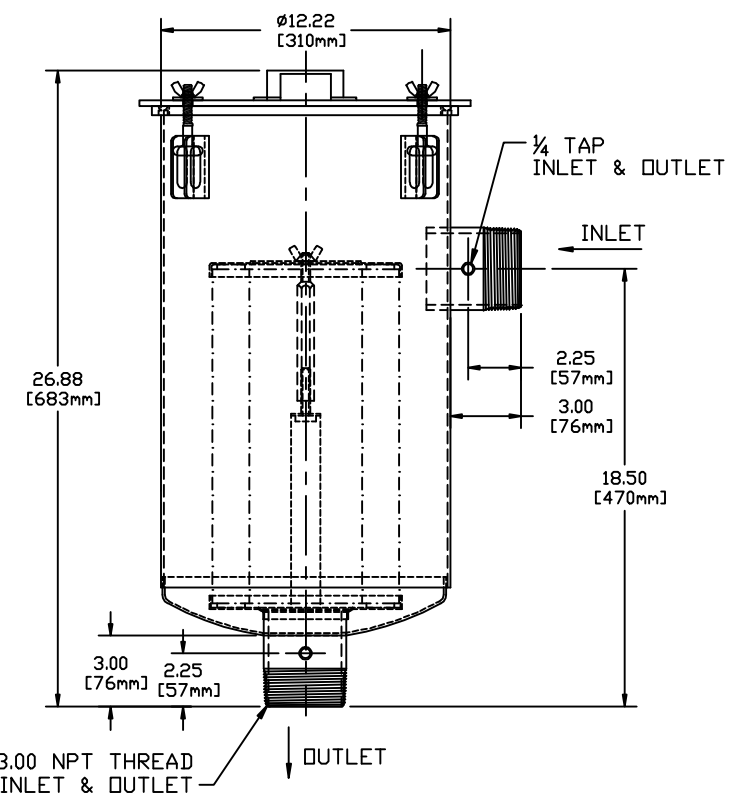
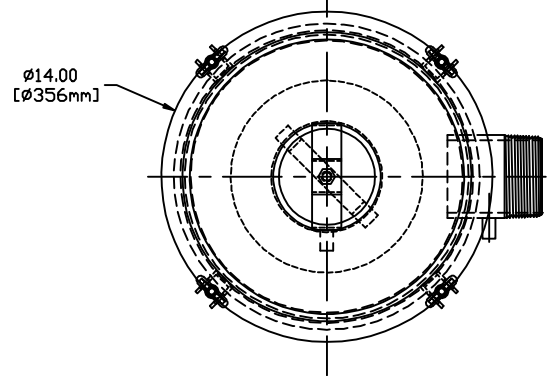


4 3 2 1

ZONE		REV	DESCRIPTION	REVISIONS	CDR #	CHG BY	DATE	APP'D
------	--	-----	-------------	-----------	-------	--------	------	-------



REPLACEMENT ELEMENT# 335P	
MATERIAL	POLYESTER
CFM FLOW	800
SURFACE AREA	12 SQ. FT.
I.D.	4.75
O.D.	7.88
HEIGHT	14.50



MODEL#	HOUSING MATERIAL	FINISH
CSL-335P-300	CARBON STEEL	BAKED ENAMEL GREY

The information contained herein is confidential and the property of Solberg Manufacturing Inc. and it is furnished to you with the expressed understanding that it will not be reproduced, copied in any manner, loaned or otherwise transferred to others entirely or in part, nor used for any purpose other than for which it was furnished. It will be returned upon request to Solberg Manufacturing Inc. The above restriction is in addition to, and does not in any way alter, any other restrictions which may apply to the information contained herein. The Illinois Circuit Court, Cook County Division has exclusive jurisdiction over any prosecution that may be necessary to uphold these restrictions.



SOLBERG MANUFACTURING INC.
1151 W. ARDMORE AVE.
ITASCA, IL 60143
630/773-1363

DESCRIPTION:
CSL-335P-300

UNLESS OTHERWISE SPECIFIED
DIMENSIONS ARE IN INCHES
TOLERANCES ARE:

FRACTIONS: ±1/4
DECIMALS: .XX ±.125
 .XXX ±.063
ANGLES: ±2

SALES REP.:	APPROVALS:	DATE:	SCALE:
	DRAWN: ABL	07/16/07	1:4
CUSTOMER APPROVAL:	ENGINEER:	MATERIAL:	FINISH:
DATE:	APPROVED:	SEE TABLE	SEE TABLE
		DRAWING NUMBER:	
		SD12957	

D
C
B
A

D
C
B
A

4 3 2 1