

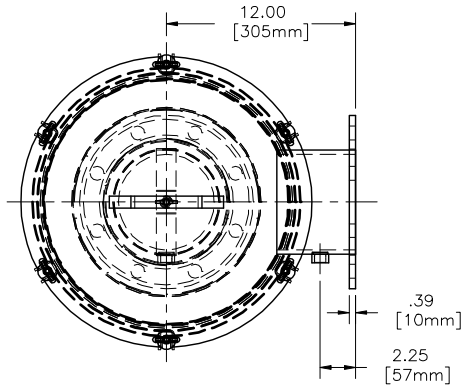
4

3

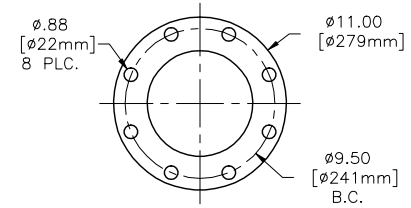
2

1

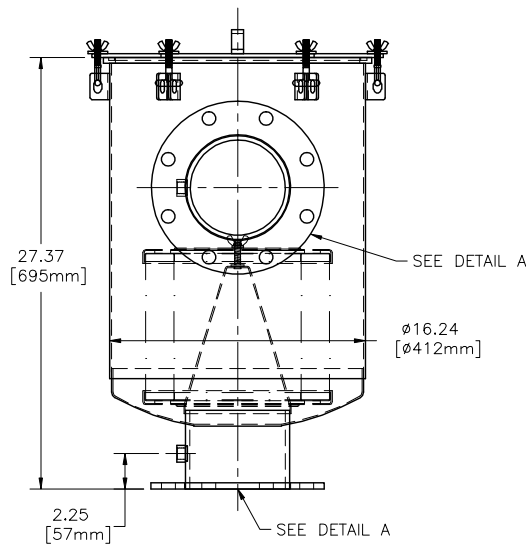
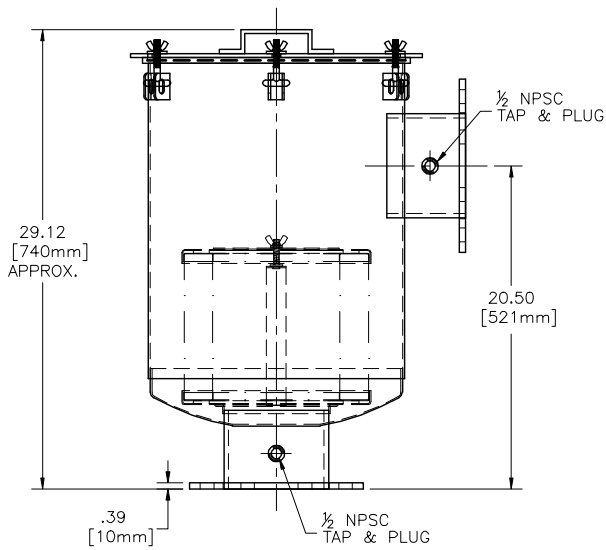
REVISIONS						
ZONE	REV	DESCRIPTION	ECN #	CHG BY	DATE	APP'D



6.00 FLANGE BOLT PATTERN



DETAIL A SCALE 1:1



REPLACEMENT ELEMENT# 274P	
MATERIAL	PAPER
CFM FLOW	1100
SURFACE AREA	45.4 SQ. FT.
I.D.	8.00
O.D.	11.75
HEIGHT	9.63

MODEL#	HOUSING MATERIAL	FINISH
CSL-274P-600F	CARBON STEEL	BAKED ENAMEL GREY

The information contained herein is confidential and the property of Solberg Manufacturing Inc. and it is furnished to you with the expressed understanding that it will not be reproduced, copied in any manner, loaned or otherwise transferred to others entirely or in part, nor used for any purpose other than for which it was furnished. It will be returned upon request to Solberg Manufacturing Inc. The above restriction is in addition to, and does not, in any way alter, any other restrictions which may apply to the information contained herein. The Illinois Circuit Court, Cook County Division has exclusive jurisdiction over any prosecution that may be necessary to uphold these restrictions.



SOLBERG MANUFACTURING INC.
1151 W. ARDMORE AVE.
ITASCA, IL 60143
630/773-1363

DESCRIPTION:
CSL-274P-600F

UNLESS OTHERWISE SPECIFIED:
-DIMENSIONS ARE IN INCHES
-REF: APPROXIMATE DIMENSIONS, NO TOLERANCES APPLY
-TOLERANCES ARE:
DECIMALS: .XX ±.25
 .xxx ±.125
ANGLES: ±2'

SALES REP.: FRIZZO	
APPROVALS	DATE
DRAWN: CRW	06/11/04
APPROVED: P.G.	02/20/04

SHEET: 1 of 1	SHEET C	SCALE: 1:6
DRAWING NUMBER: SD11494		REV: —

4

3

2

1