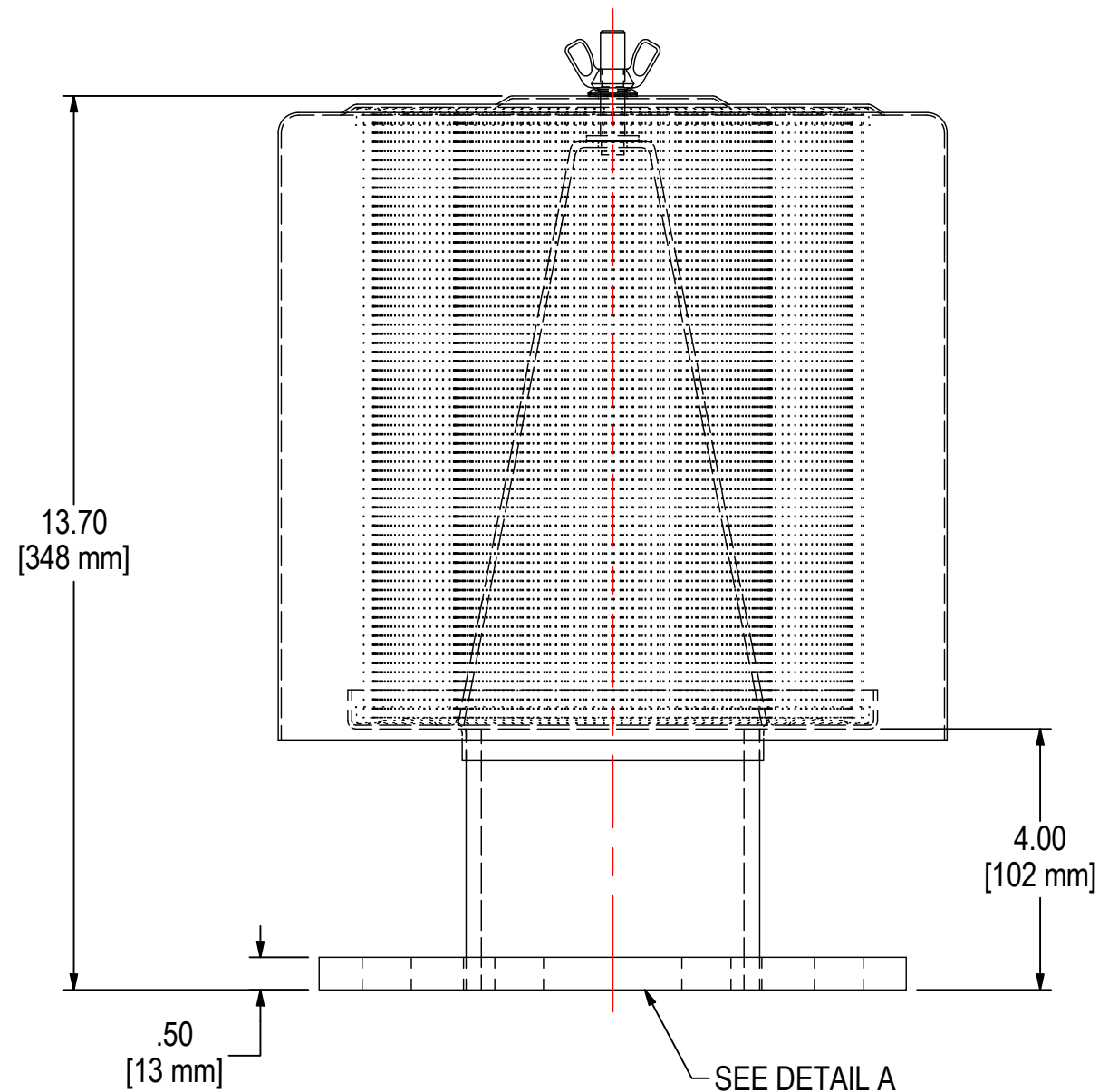
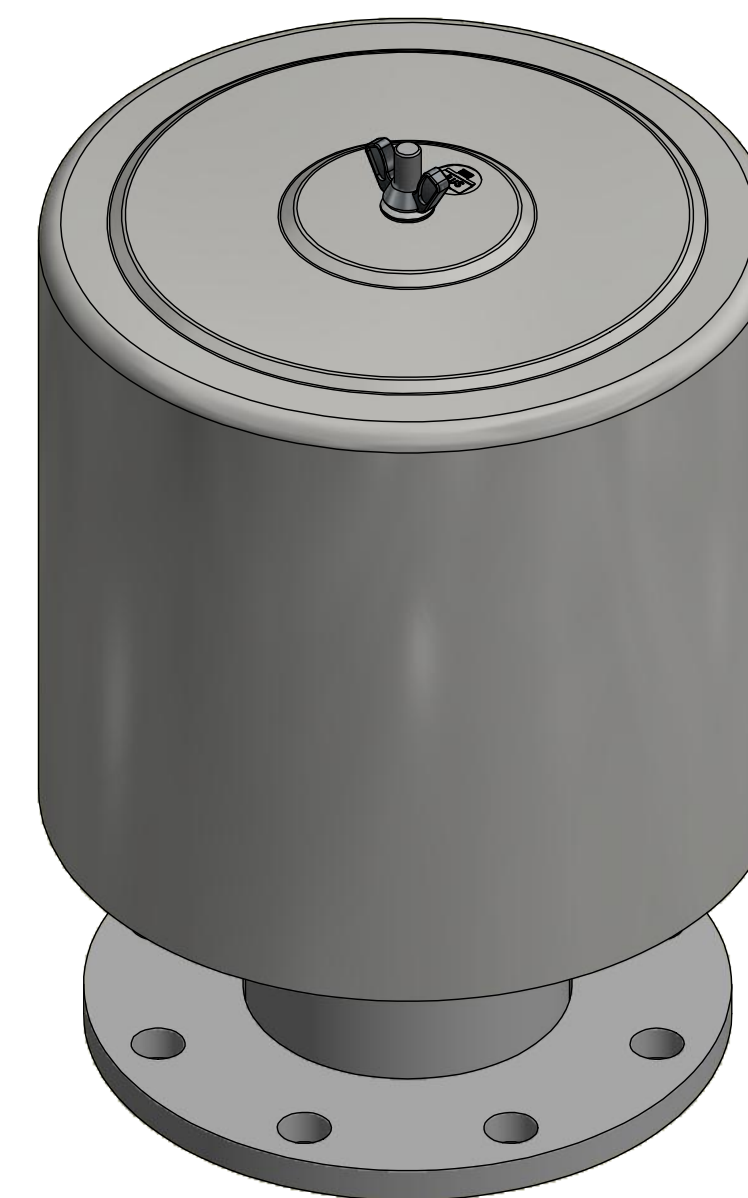


DETAIL A
4" ANSI FLANGE
BOLT PATTERN



MODEL #: F-234P-400F

MATERIAL: CARBON STEEL

FINISH: GRAY PAINT

ELEMENT SPECS		
PART NUMBER	234P	
MATERIAL	Paper	
FLOW RATE	570 CFM	968 m ³ /hr
SURFACE AREA	22.8 ft ²	2.1 m ²
I.D.	4.75"	121mm
O.D.	7.88"	200mm
HEIGHT	9.63"	244mm

THE INFORMATION CONTAINED HEREIN IS CONFIDENTIAL AND THE PROPERTY OF SOLBERG MANUFACTURING INC. AND IT IS FURNISHED TO YOU WITH THE EXPRESS UNDERSTANDING THAT IT WILL NOT BE REPRODUCED, COPIED IN ANY MANNER, LOANED OR OTHERWISE TRANSFERRED TO OTHERS ENTIRELY OR IN PART, NOR USED FOR ANY PURPOSE OTHER THAN FOR WHICH IT WAS FURNISHED. IT WILL BE RETURNED UPON REQUEST TO SOLBERG MANUFACTURING INC. THE ABOVE RESTRICTION IS IN ADDITION TO, AND DOES NOT IN ANY WAY ALTER, ANY OTHER RESTRICTIONS WHICH MAY APPLY TO THE INFORMATION CONTAINED HEREIN.

TOLERANCES

DIMENSIONS ARE FOR REFERENCE ONLY. ALL DIMENSIONS ARE SUBJECT TO CHANGE UPON PRODUCTION.

UNLESS OTHERWISE SPECIFIED:
-DIMENSIONS ARE IN INCHES
-REF: APPROXIMATE DIMENSIONS, NO TOLERANCES APPLY
-FINISH: BREAK EDGES TO .005-.020 RADIUS/CHAMFER

MODEL NUMBER: F-234P-400F

DESCRIPTION: F-234P-400F, GRAY

PROJECT: SD12867

DRAWN BY: ABL
DATE: 7/11/2007

APPROVED BY: CRW
DATE: 9/9/2014

SHEET: 1 OF 1

REV: