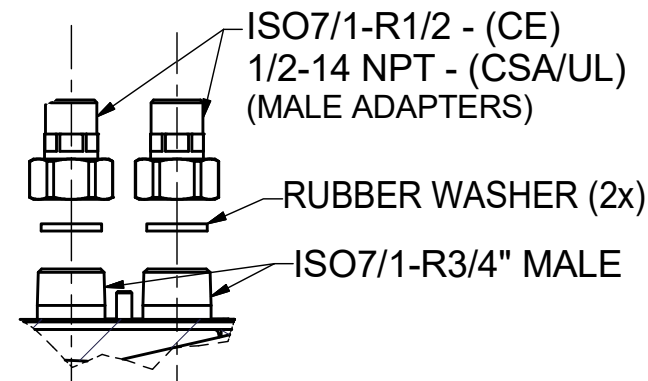
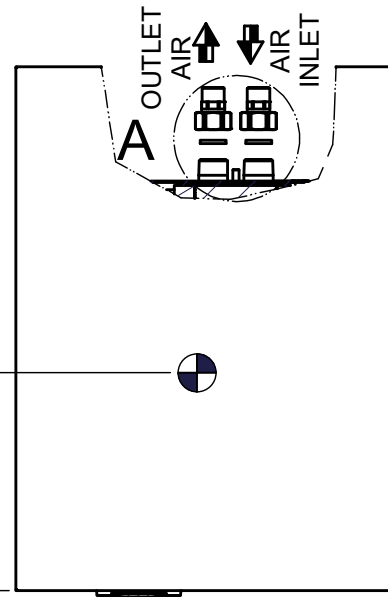
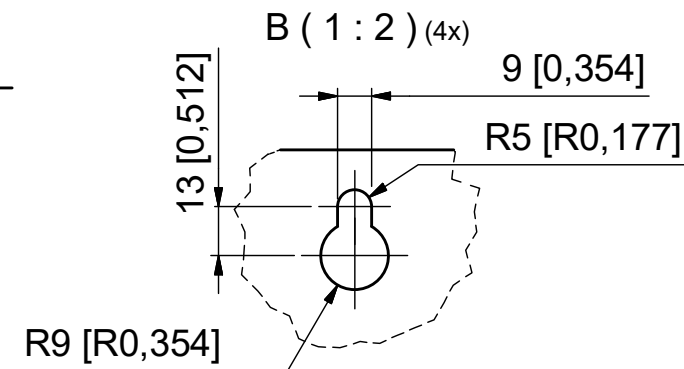
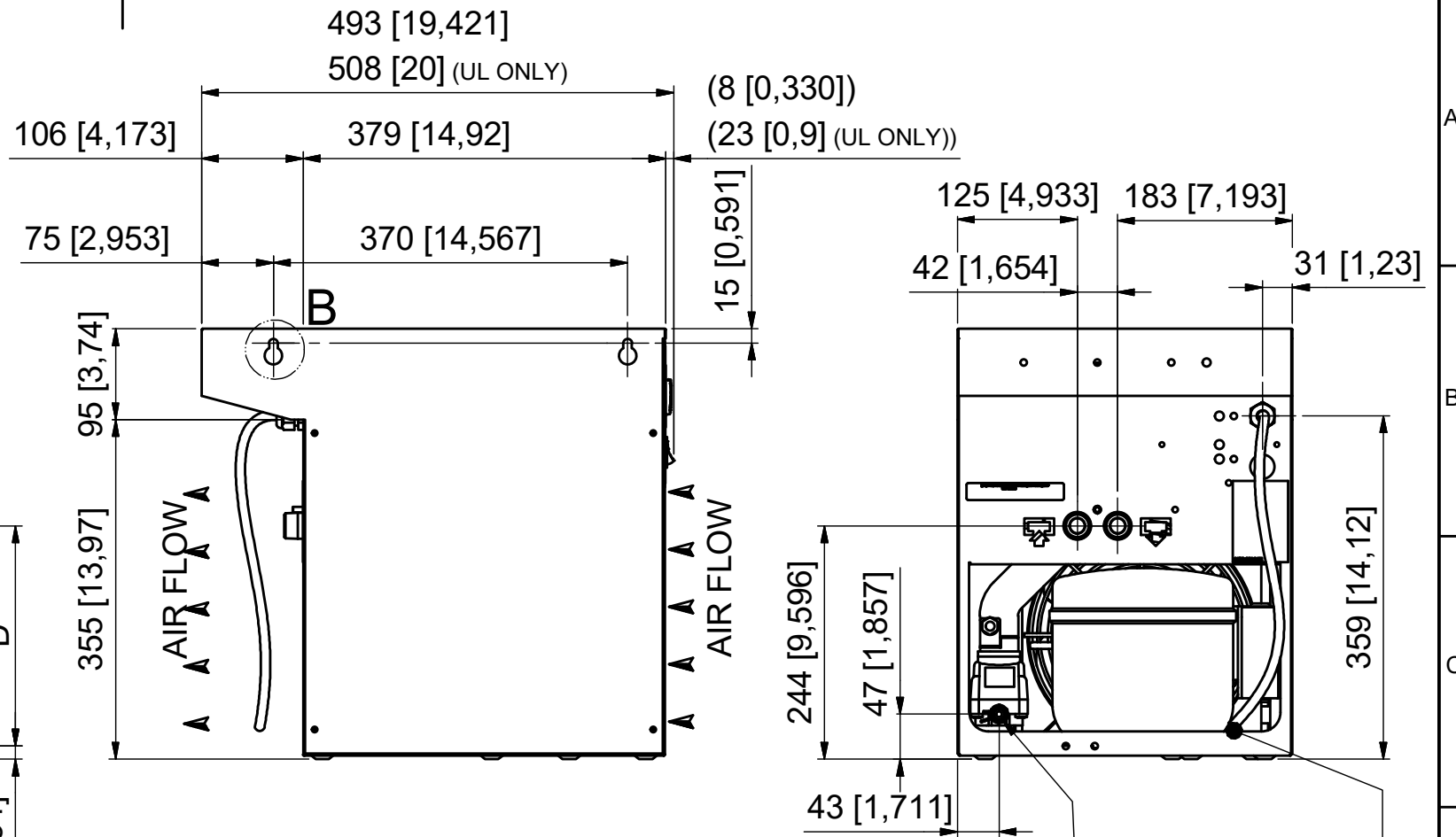
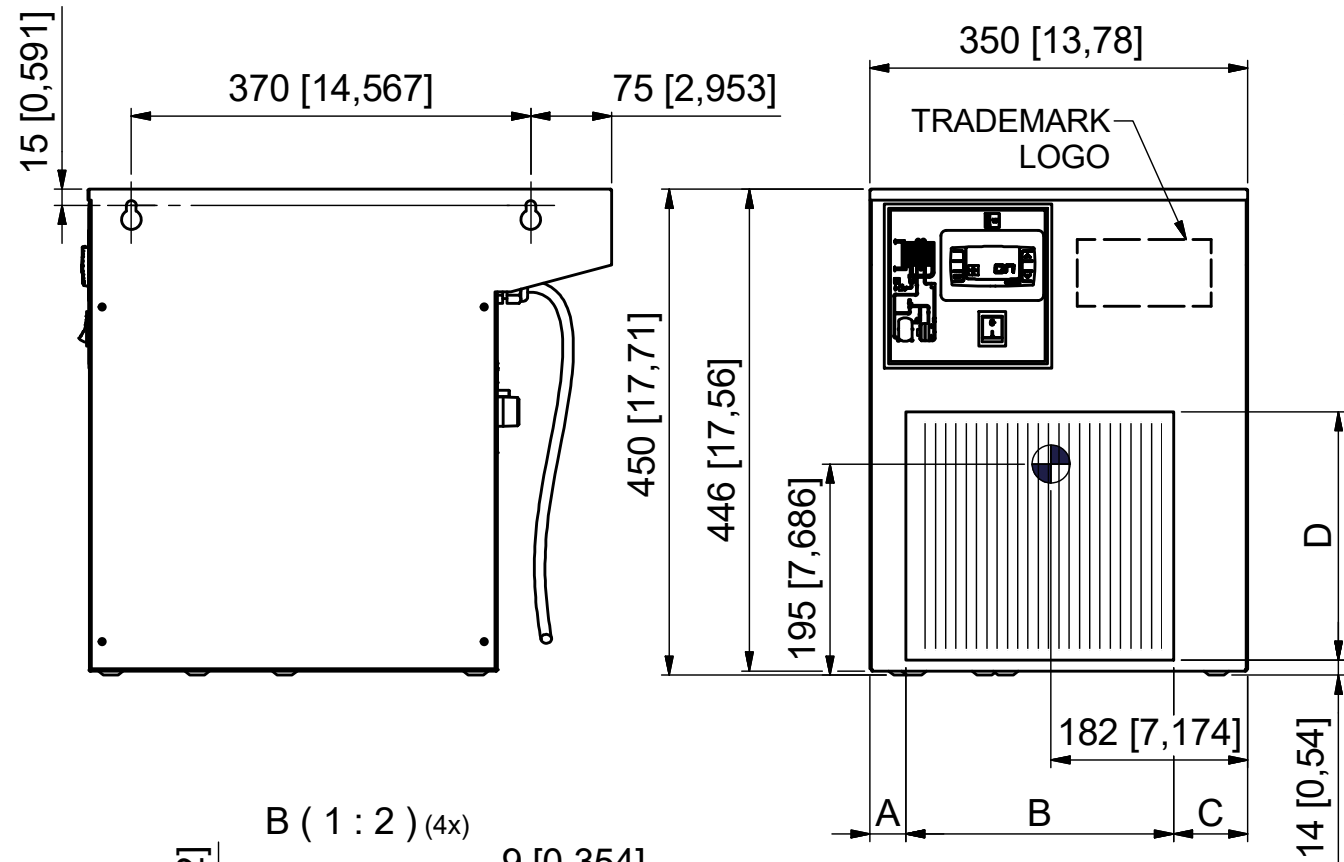


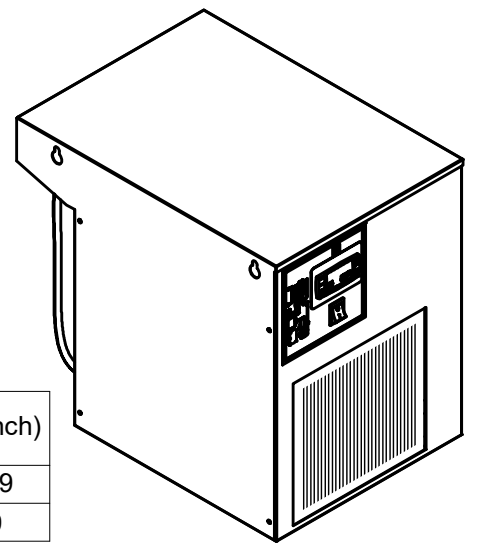
CONFIDENTIAL:

This document is property of Atlas Copco AB and shall not without our permission be altered, copied, used for manufacturing or communicated to any other person or company.

All materials supplied are in compliance with the requirements of the List of Prohibited Substances



CONDENSATE DRAIN OUTLET PIPE Ø int. 10mm / 0,39 inch
ELECTRICAL CABLE OUTLET



DRYER VERSION	A (mm / inch)	B (mm / inch)	C (mm / inch)	D (mm / inch)
A/E 0-2 + B/BE0/1-1/2 MODEL	81 / 3,2	188 / 7,4	81 / 3,2	175 / 6,9
A/E 3-4 + B/BE 2/3-4 + H1 MODEL	34 / 1,3	248 / 9,7	68 / 2,7	230 / 9

Tolerances, if not indicated, according to:

Name	DIMENS. DRAWING		A/E0-4, B/BE0/1-4, H1 MB		Confidentiality Class acc. to 1102 K
Material	Not applicable				Confidential
Treatment	Not Applicable				INV
Scale	1:5	Family	DRYERS A/E0-4 MB	Compare	Drawing Owner CAI
Drawn by	sgraser	Blank nr.		Replaces	
Drawing format	Blank wt	0 Kg	Fin. wt.	N/A	Sheet 1 / 1
STATUS	Approved	Des checked.	Prod checked.	Approved.	Date 14/04/2005

2202754800

ALL DIMENSIONS: mm [inch]

05	Added E versions. CID.27573, DN20054129.	22-06-20	asavio	2202754800	04.00
Ed	Position	Modified from	Date	Intr./Appd.	Parent 3D model