

BULLET 30

Rotary Screw Air Compressor

JUST THE RIGHT AMOUNT OF AIR FOR THE JOB!



IDEAL FOR THOSE SMALL MOBILE APPLICATIONS!

more air solutions at
BOSSair.com

BOSS[®]
engineered **AIR** systems

BULLET 30

Rotary Screw Air Compressor - Gas Engine Driven Skid Mount

COMPACT DESIGN

The BOSS® *Bullet 30* is a compact, strategically designed system which integrates all major components on to a tough, durable frame.

The *Bullet 30* design provides output of up to 30cfm at 100psi.

Because it measures just 40.26" L x 20.0" W x 25.85" H and only weighs 286lbs, the *Bullet 30* is ideal for the small compartments, truck beds and even UTV applications.

ROTARY SCREW DEPENDABILITY

The heart of the BOSS *Bullet 30* compressor is the rotary screw air-end. Rotary screw compression is ideal for this application because it provides constant air flow and pressure, regardless of the amount of time it takes to get the job done. This eliminates the need for an air storage tank, there is no waiting for the system to "catch-up".

SMALL GAS ENGINE PERFORMANCE

Strong, dependable, efficient, all the words you want to hear when choosing the right product for the right job. When performance matters, choosing the right air compressor and paired with the right engine makes all the difference, that's why we choose the KOHLER CH440 air cooled gas engine. Tap into the vehicle's battery for easy key starting or use the pull cord starter when no power is available.

4 foot battery cables are provided as a standard feature.

BENEFITS

- Designed to run continuously
- Small footprint and lightweight
- Integrated Compressor Hydraulic Cooler
- No air tank required
- Ideal for 1/2" Impacts
- Lifetime Warranty on the airend when utilizing our ShieldWorks Lubrication Program.

ENGINE

Type	Kohler CH440 4-Cycle, Single Slant Cylinder, Air Cooled
Gasoline (EPA & C.A.R.B.)	Small Engine Certified
Kohler Warranty	2 years
Power (@3600 rpm)-hp	14
Displacement-cu. in3.	26.2 Cubic Inches (429cc)
Bore-in., Stroke-in.	3.5 x 2.7
Oil capacity (w/filter)-US qts	1.16
Fuel tank capacity	1.93 gallons
Altitude Range	0-4000 Feet Above Sea Level

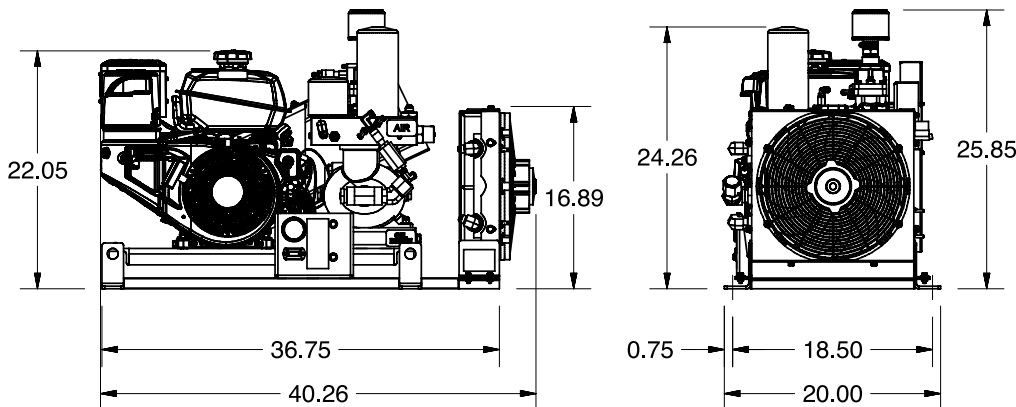
COMPRESSOR

Type	Oil Flooded Rotary Screw
Rated Delivery	30cfm
Rating Operating Pressure	100psig*
Operating Pressure Range	80 - 115psig
Max. Operating Temp.	+100° F
Oil Sump Capacity	1.0 gallons
Air Service Connection	One 1/2" NPT

GENERAL INFORMATION

Weight	286lbs Dry
Dimensions	40.26" L x 20.0" W x 25.85" H

Bullet 30



SERVICE NOTE:
Minimum Fresh Air Clearance is 8" all four sides.



DISTRIBUTED BY:

BOSS INDUSTRIES, LLC.

1761 Genesis Drive LaPorte, IN 46350

Voice: (219) 324-7776 • (800) 635-6587 • Fax: (219) 324-7470

Electronic: www.bossair.com • email: sales@bossair.com

Specifications subject to change without notice.

©2018 Boss Industries, LLC. Printed In U.S.A. Bullet 30. TEMP. 021418. BI