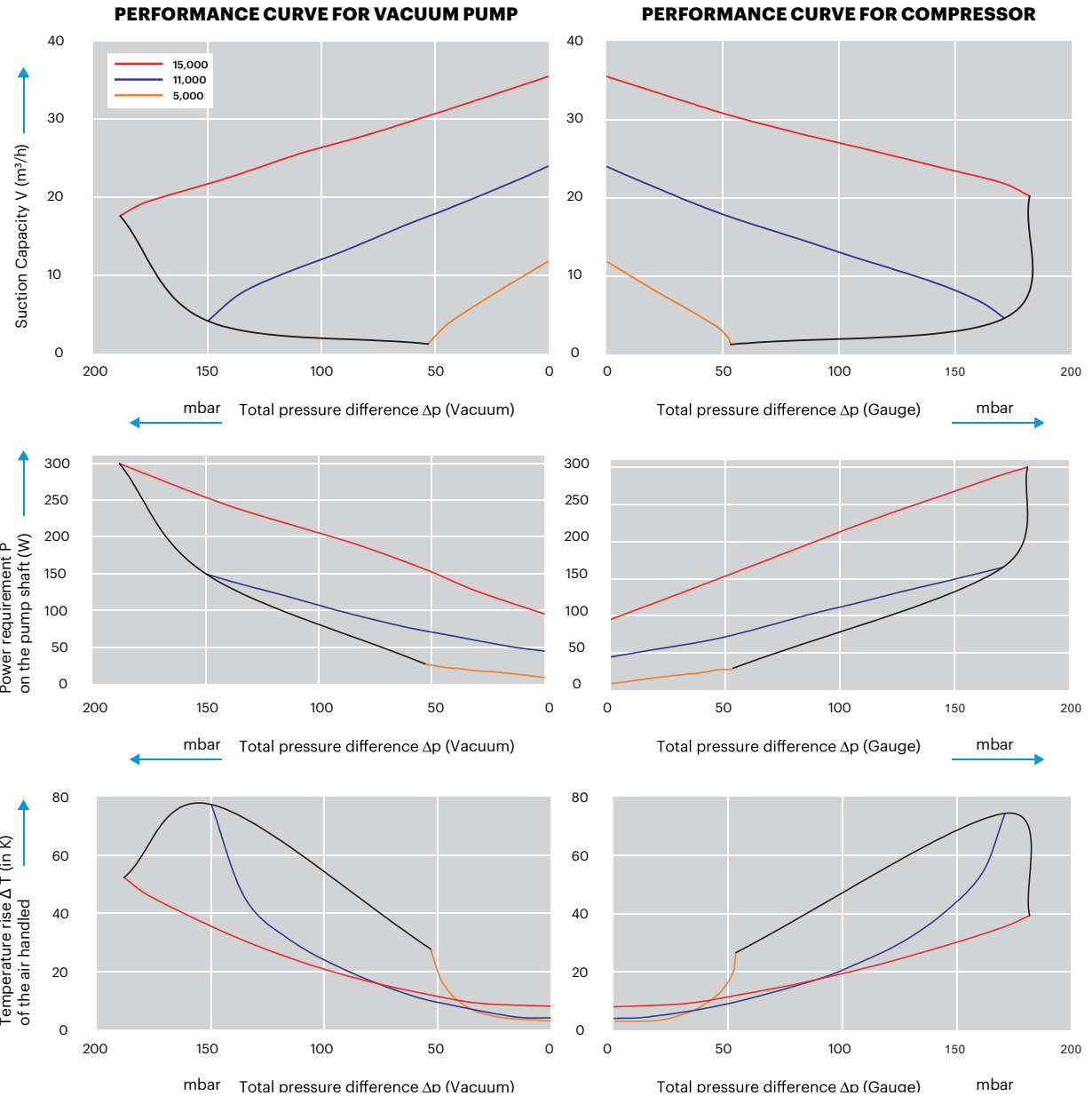
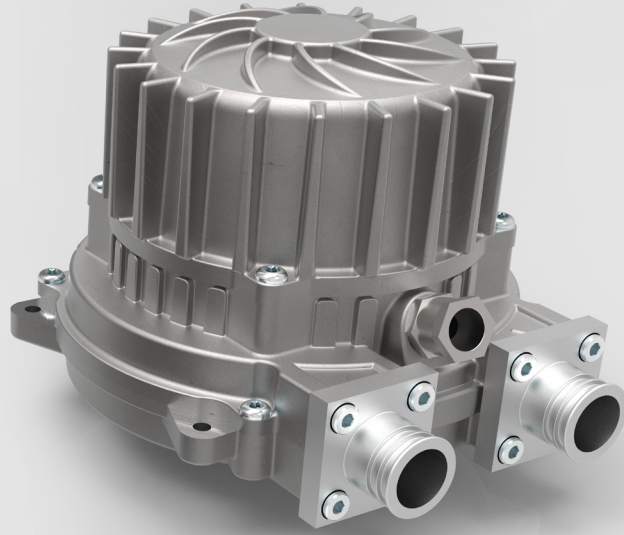


FEATURES

- o Cooler running outboard bearing provides maintenance-free operation
- o Environmentally friendly oil-free technology
- o Extremely quiet operation
- o All motors are standard brushless DC motors, CE compliant
- o Custom construction blowers are available
- o Rugged die cast aluminum construction



DIMENSIONS (INCHES)

RECOMMENDED ACCESSORIES

RELIEF VALVE:

VC51Z (Vacuum)

PC51Z (Pressure)

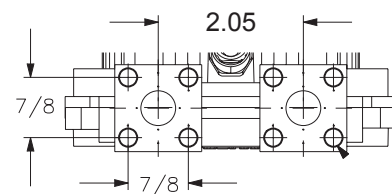
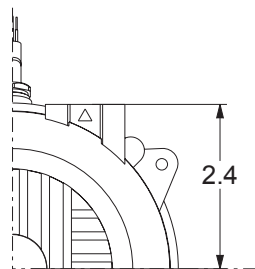
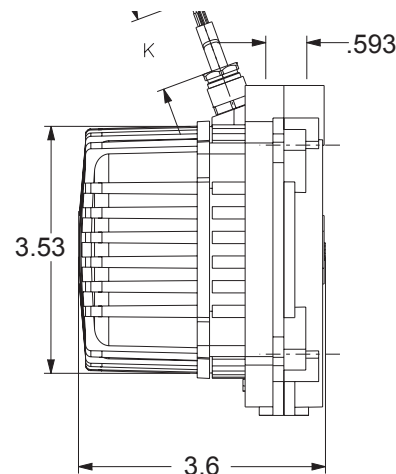
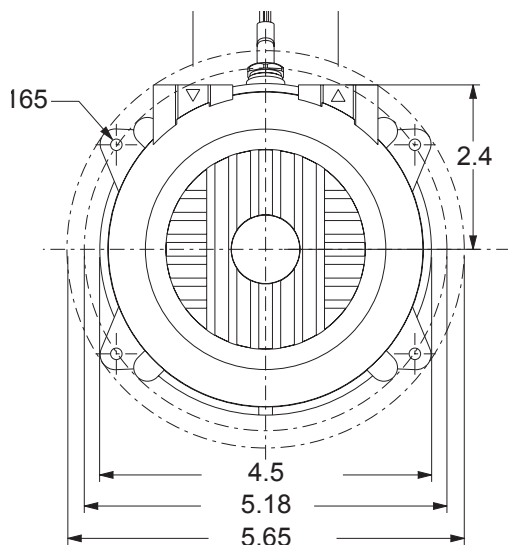
FILTER:

ATF-125-1337

(Vacuum)

AFS-20-125-10

(Pressure)



PERFORMANCE DATA - 3BA1002-AB52/BB52

Model Number	Electronic	Connection	Control Voltage	Speed	Max. Output Power	Input Current	Input Voltage	Sound Pressure Level	Weight
				RPM	W	A	V	dB(A)	lbs.
3BA1002-AB52	external (provided)	flanged	0-10		300	14	24	3.3	-
3BA1002-BB52	external (provided)	flanged	0-10		300	7	48	3.3	-
				10.0	15,000				
				7.1	10,000				
				5.1	7,000				
				3.0	5,000				

All curves are rated at 14.7 psia and 68 F ambient conditions and are reported in SCFM referenced to 68 F and 14.696 psia sea level conditions. Curve values are nominal, actual performance may vary by up to 10% of the values indicated. For inlet temperatures above approximately 80 F or for handling gases other than air, please contact your Airtech sales representative for assistance.

AIRTECH, INC.

RUTHERFORD, NJ 07070

WWW.AIRTECHUSA.COM

TEL: (888) 222-9940

FAX: (201) 569-1696