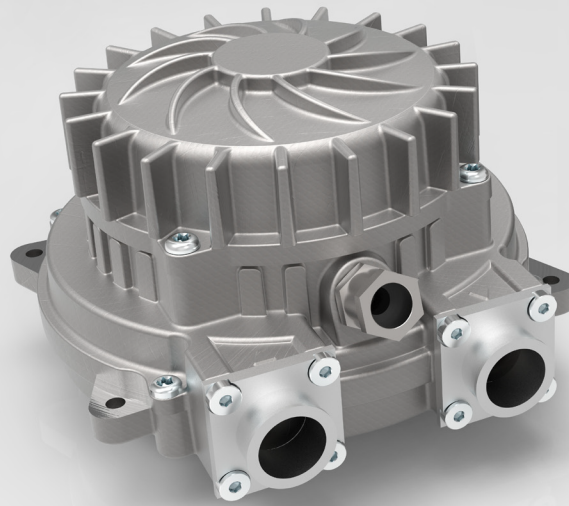
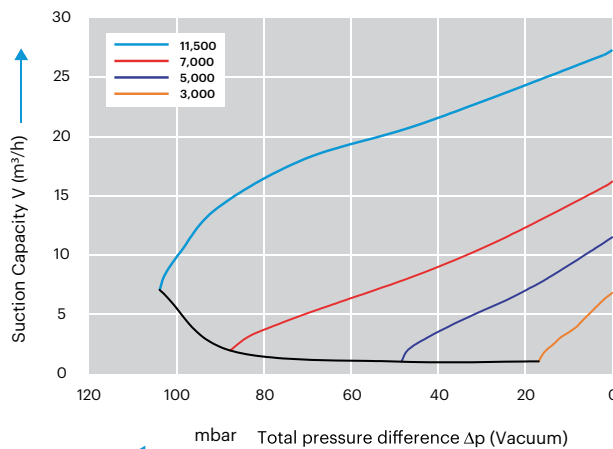


FEATURES

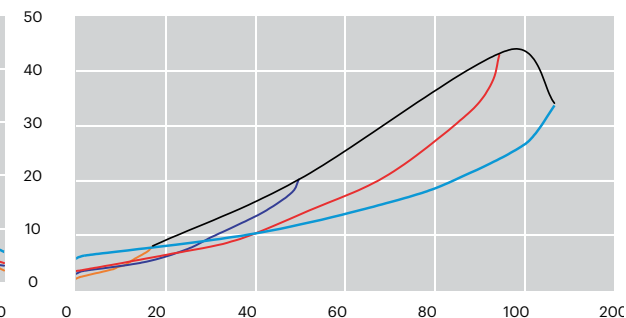
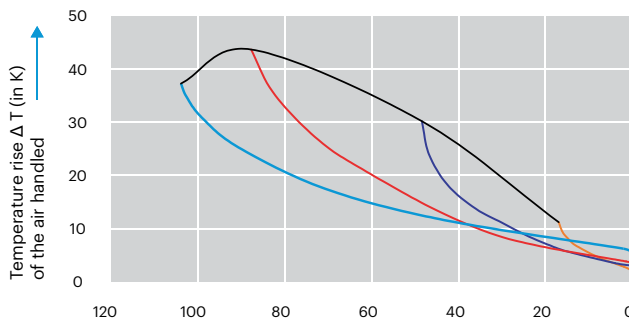
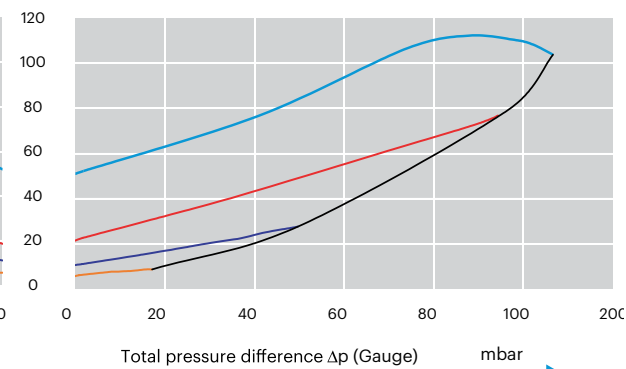
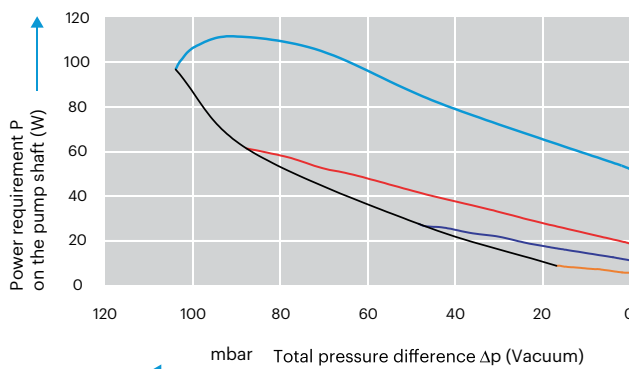
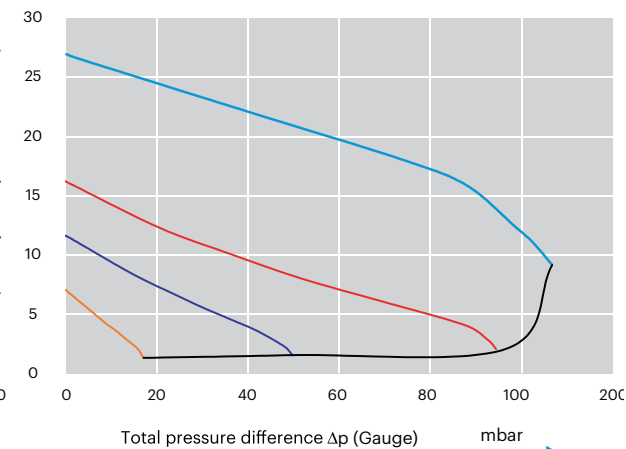
- o Cooler running outboard bearing provides maintenance-free operation
- o Environmentally friendly oil-free technology
- o Extremely quiet operation
- o All motors are standard brushless DC motors, CE compliant
- o Custom construction blowers are available
- o Rugged die cast aluminum construction



PERFORMANCE CURVE FOR VACUUM PUMP



PERFORMANCE CURVE FOR COMPRESSOR



AIRTECH, INC.

RUTHERFORD, NJ 07070
WWW.AIRTECHUSA.COM
TEL: (888) 222-9940
FAX: (201) 569-1696

DIMENSIONS (INCHES)

RECOMMENDED ACCESSORIES

RELIEF VALVE:

VC51Z (Vacuum)

PC51Z (Pressure)

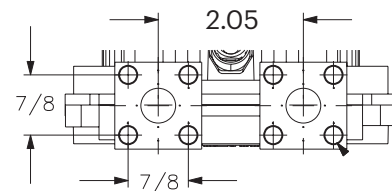
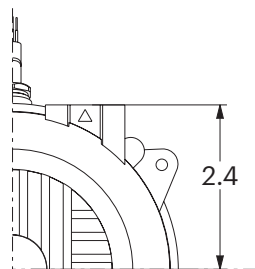
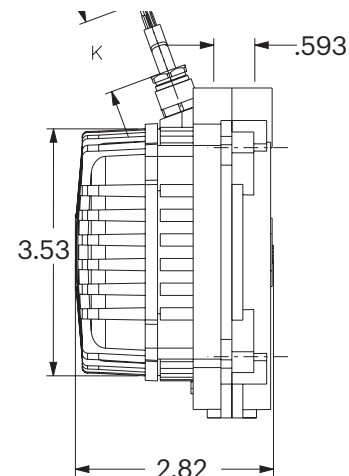
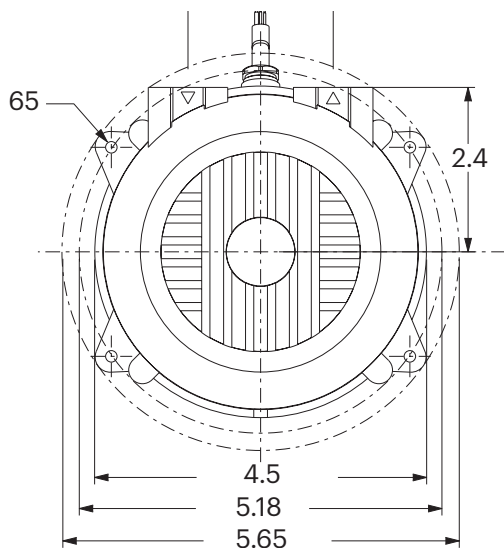
FILTER:

ATF-125-1337

(Vacuum)

AFS-20-125-10

(Pressure)



PERFORMANCE DATA - 3BA1002-AB22/AA22

Model Number	Electronic	Connection	Control Voltage	Speed	Max. Output Power	Input Current	Input Voltage	Sound Pressure Level	Weight
				RPM					
3BA1002-AB22	integrated	flanged	0-10		115	7	24	48	2.6
3BA1002-AA22	integrated	flanged	0-10		115	14	12	48	2.6
			10.0	11,500					
			7.1	7,000					
			5.1	5,000					
			3.0	3,000					

All curves are rated at 14.7 psia and 68 F ambient conditions and are reported in SCFM referenced to 68 F and 14.696 psia sea level conditions. Curve values are nominal, actual performance may vary by up to 10% of the values indicated. For inlet temperatures above approximately 80 F or for handling gases other than air, please contact your Airtech sales representative for assistance.

AIRTECH, INC.

RUTHERFORD, NJ 07070

WWW.AIRTECHUSA.COM

TEL: (888) 222-9940

FAX: (201) 569-1696