



ATEX Vacuum Filters

XCSL Series 3/8" - 2"

Explosion Protection: ATEX Directive

Explosions can occur within applications such as pharmaceutical, chemical, metal, food, plastics, coal and wood working industries. Solberg was one of the first filtration companies qualified to service these industries in compliance with the ATEX directive 2014/34/EU. This European Union code seeks to minimize the possibility of explosions related to equipment used in potentially explosive gaseous or dusty environments.

Features

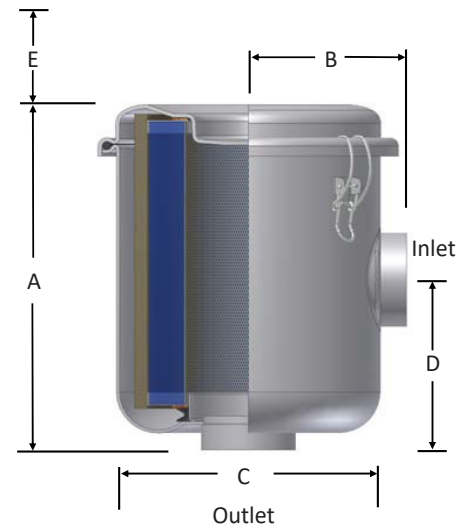
- Seamless drawn housings designed for low pressure drop
- O-ring seal
- Nickel plated carbon steel construction
- Stainless steel torsion clips for durability
- ATEX nameplate standard

Technical Specifications

- Vacuum Rating: medium vacuum service*
- Temp (continuous): min -15°F (-26°C) max 220°F (104°C)
- Filter change out differential: 15-20" H₂O over initial Δ P
- Polyester: 99%+ removal efficiency standard to 5 micron
- Paper: 99%+ removal efficiency standard to 2 micron

Options

- Vacuum gauge
- Higher holding capacity configurations available (select models)
- Multiple finishes available
- Support brackets
- Alternative top-to-canister fastening system for low pressure or pulsating systems
- Stainless steel (select models)



Inlet/Outlet Size	Assembly SCFM Rating	Assembly Part Number		Dimensions - inches				Suggested Service ht. E	Approx. Weight lbs.	Replacement Element Part No.		Element SCFM Rating
		Polyester	Paper	A	B	C	D			Polyester	Paper	
3/4"	25	XCSL-X843-075HC	XCSL-X842-075HC	4	3	5 3/4	2 1/2	3"	3	X843	X842	55
1 1/4"	60	XCSL-X849-125HC	XCSL-X848-125HC	6 11/16	4 1/8	7 3/8	4 1/2	5"	5	X849	X848	115
2"	175	XPSL-X851/1-200HC	XPSL-X850/1-200HC	10 1/4	4 1/2	8 3/4	5	9"	15	X851	X850	290

Stocked sizes listed above. Contact factory for additional sizes.

*See Vacuum Filter Technical Data for vacuum service data.

Rev: XCSL-US2307C2